



TRUSAFE

TM

OWNER'S MANUAL

**An Instruction Book for Owners of the
TruSafe™ System, Model Number 2024.**

IMPORTANT! PLEASE READ AND UNDERSTAND ALL OF THE TERMS, CONDITIONS, INSTRUCTIONS, AND WARNINGS CONTAINED IN THIS MANUAL. THE FAILURE TO DO SO COULD RESULT IN SERIOUS INJURY TO PERSON AND PROPERTY, AND EVEN DEATH. THIS MANUAL SHOULD BE INCLUDED WITH THE TRUSAFE SYSTEM AND SHOULD TRANSFER WITH THE SYSTEM IF IT IS SOLD OR ITS OWNERSHIP CHANGES.

Introduction

Thank you for purchasing the TruSafe™ roof flagging system (the “System”). The purpose of this manual is to help you understand the System, its proper setup, maintenance, use, and to otherwise serve as a System-related resource. If you have any questions or concerns that are not covered in this manual, or questions about how to properly inspect, setup, and/or use the TruSafe™ System, please contact TruSafe™, LLC™ (“TruSafe™”) at 320-654-8910 and/or email us at info@trusafeco.com. You can also contact us by mail with any questions at the address below:

TruSafe™, LLC
307 31st Avenue South
Waite Park, Minnesota 56387
www.trusafeco.com

Please include a copy of your full legal name, email, mailing address, and telephone number in your letter.

Safety Warning

WARNING! Read this manual in its entirety before setting up and using the TruSafe™ System. Failure to follow these instructions and/or use the TruSafe™ System in a manner other than as directed by these instructions could result in serious injury or death.

By receiving these warnings and the instructions contained in this manual, you are expected to understand the proper setup, maintenance, and use of the TruSafe™ System. By extension, you are assuming the risks that may lead to property damage, personal injury, and/or death caused by the improper setup, maintenance, and use of the TruSafe™ System.

To reduce or eliminate the risks posed by the improper setup, maintenance, and use of the TruSafe™ System, please ensure you and all individuals that may work with the TruSafe™ System have done the following:

- Reviewed the warnings and instructions contained in this manual in their entirety.
- Received proper training on the setup, maintenance, and use of the TruSafe™ System per the warnings and instructions set forth in this manual and an accompanying video.
- Become aware of, and comply with, all applicable OSHA and other government rules and regulations that may relate to the setup, maintenance, and use of the TruSafe™ System.

WARNING! Government rules and regulations are subject to change. It is the user's responsibility to stay abreast on any changes to applicable government rules and regulations.

- Inspected all the TruSafe™ System's components to verify there are no missing parts. Compare the components in the box with this manual's components list to ensure components are present. This should be performed every time the TruSafe™ System is set up, adjustments are made to the TruSafe™ System while it is set up and taken down.

- Inspected all the components to verify that they are not defective or damaged. This should be performed every time the TruSafe™ System is set up, adjustments are made to the TruSafe™ System while it is set up and taken down.
- Inspected all the components to verify that they have not been altered and/or are not official TruSafe™ components.

WARNING! The use of altered components and/or or components not manufactured by TruSafe™ may compromise the TruSafe™ System's ability to function as intended.

- Replaced all worn, defective, and/or damaged components before use. You should not setup and use the TruSafe™ System until the worn, defective, and/or damaged component is repaired or replaced.

WARNING! Use of worn, defective, and/or damaged components may result in property damage, personal injury, and/or death. Further, use of components that are not supplied by TruSafe™ and any modifications to the TruSafe™ System may also result in property damage, personal injury, and/or death.

- Ensure the TruSafe™ System is not affixed to walls that are wet/slippery, degrading, and/or are not strong and sturdy enough to ensure the TruSafe™ System can maintain the necessary tension.
- Do not setup the TruSafe™ System during times of inclement weather, namely when it is raining, snowing, sleet, hailing, or if there are high winds. The TruSafe™ System should also be taken down and removed if there is inclement weather.

The TruSafe System's Components

The TruSafe™ System is made up of at least two Force Clamp Assemblies. You may also need a Screw Clamp Assembly, notably where a flag rope could use additional support to meet long spans between two Force Clamp Assemblies, changes in roof heights, and wall angles.

Each Force Clamp Assembly is made up of the following components:

- Rubber Bumpers (4)¹
- Flag Rope (1)

WARNING! The Flag Rope is not included in your purchase of the TruSafe™ System but are a necessary component. TruSafe™ is not responsible for the performance and maintenance of third-party Flag Ropes.

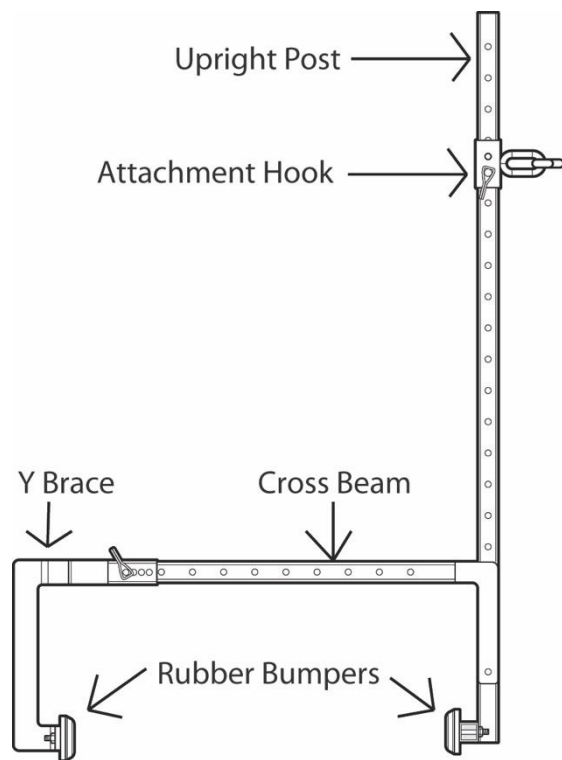
- Pins (2)
- Flag Tie-Off (1)
- Upright Post (1)
- Ratchet Straps (1)

WARNING! Ratchet straps are not included in your purchase of the TruSafe™ System but are a necessary component. Commercial grade ratchet straps should be purchased separately. TruSafe™ is not responsible for the performance and maintenance of third-party ratchet straps.

- Attachment Hook (1)
- Y Brace (1)
- Cross Beam (1)

¹ The number contained in each parenthesis indicates the number of each type of component that is included in the TruSafe™ System's box, except for components that are not included with your purchase of the TruSafe™ System.

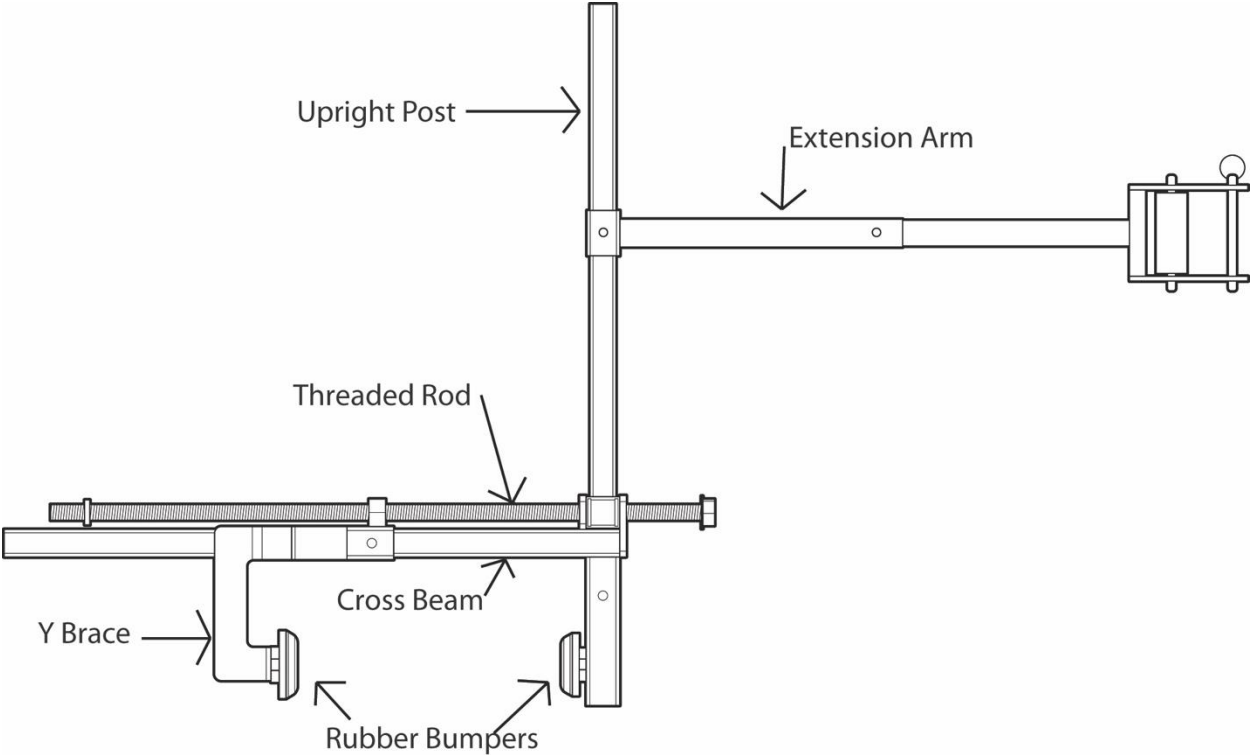
This diagram shows the various components that make up the Force Clamp Assembly:



The Screw Clamp Assembly is made up of the following components:

- Rubber Bumpers (3)
- Upright Post (1)
- Extension Arm (1)
- Threaded Rod (1)
- Y Brace (1)
- Cross Beam (1)
- Flag Rope (1)
- Small Pins (2)
- Large Pins (2)

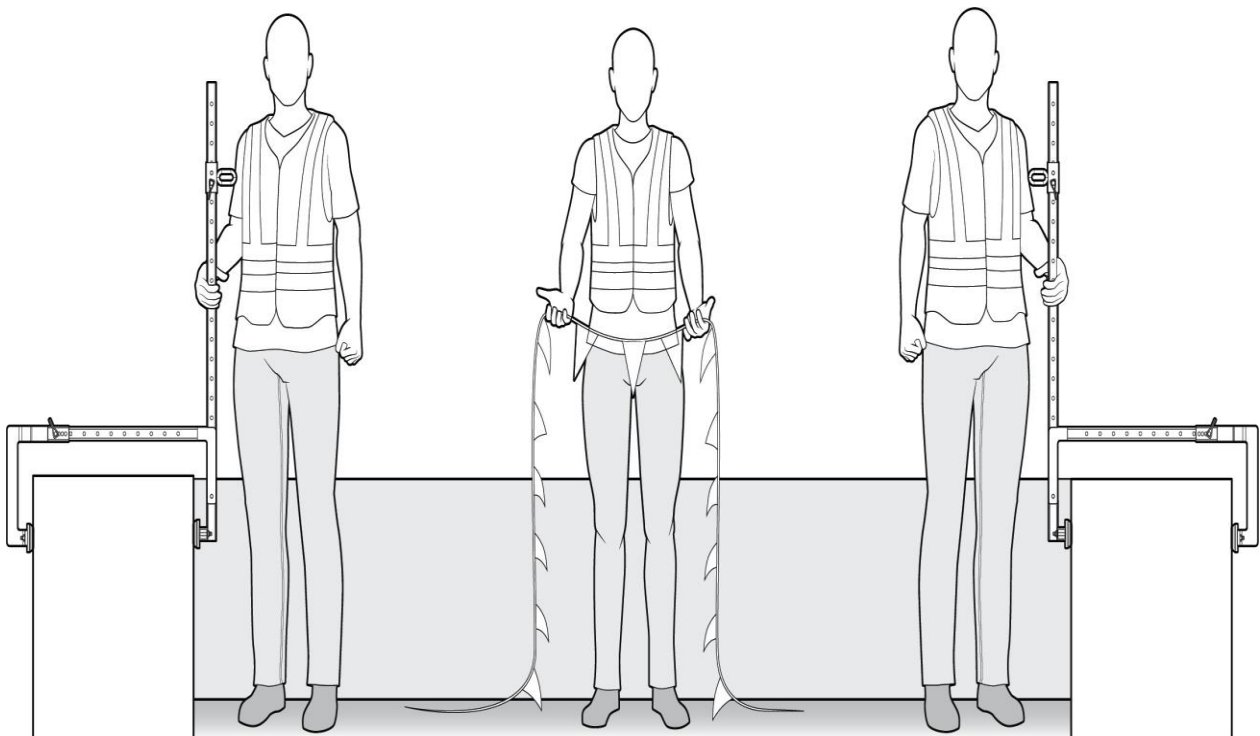
This diagram shows the various components that make up the Screw Clamp Assembly:



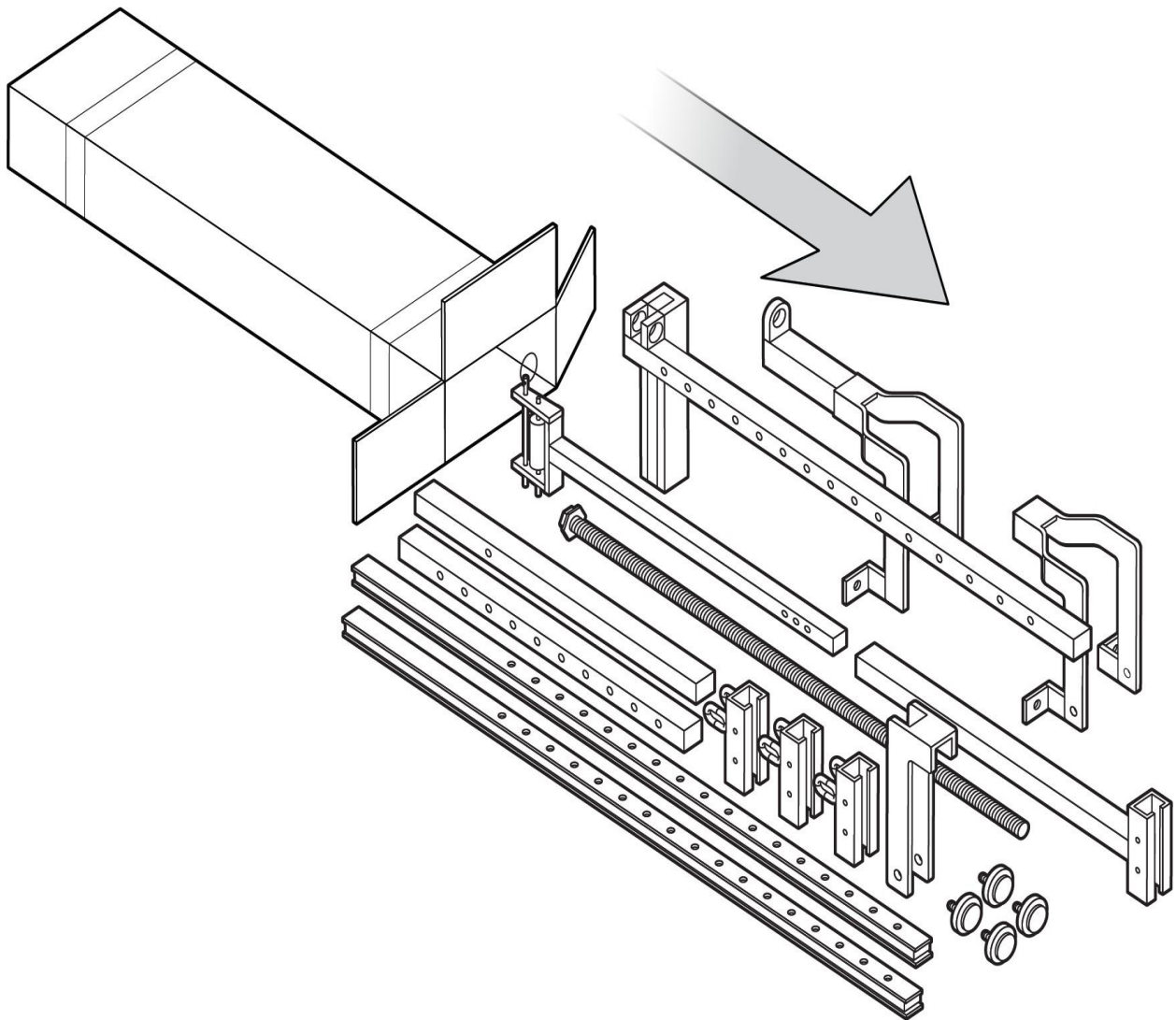
Instructions for Setting Up, Taking Down, and Maintaining the TruSafe™ System

WARNING! Read these instructions before you use the TruSafe™ System.

1. Setting up the TruSafe™ System requires the help of at least three people who have read this manual, and the instructions contained herein, are trained on your company's rules and applicable government rules and regulations – namely OSHA regulations, and are trained on the proper setup, maintenance, and use of the TruSafe™ System.

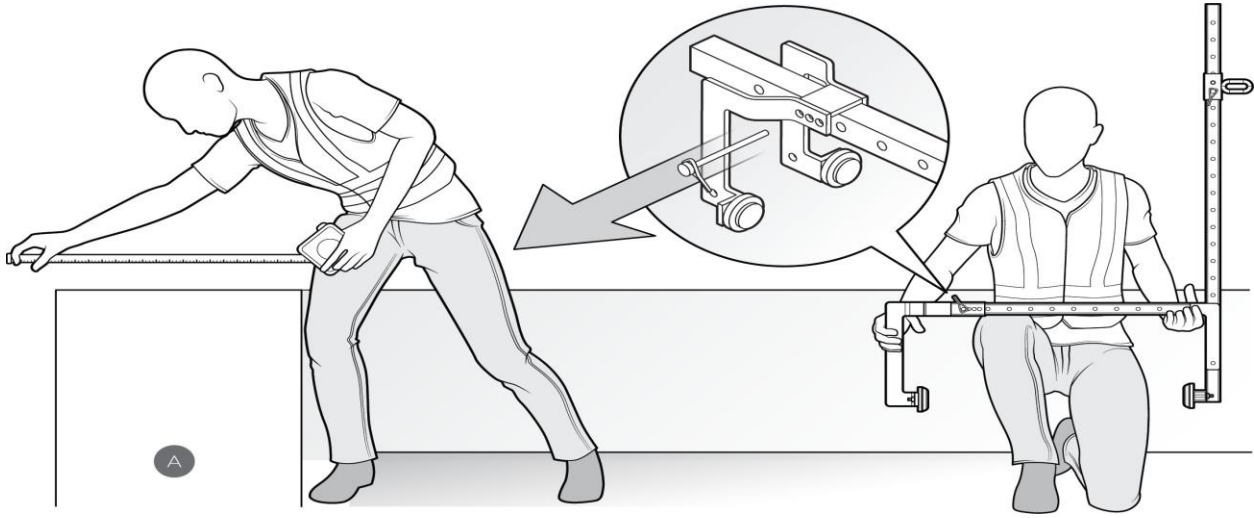


2. The TruSafe™ system should be removed from its box, along with its components:



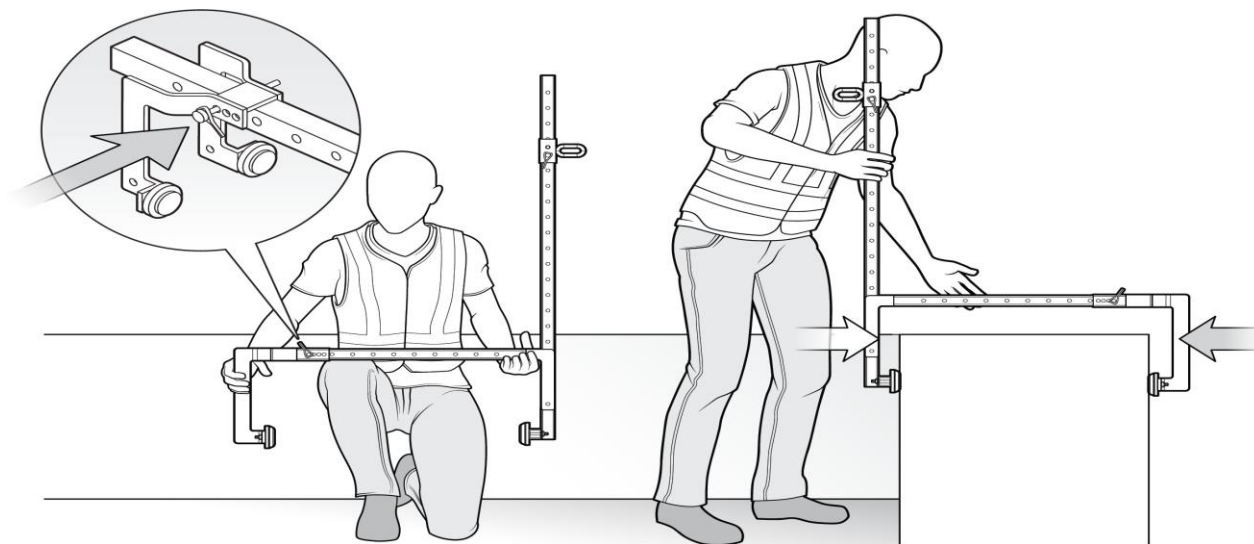
3. The TruSafe™ system and its components should be carefully inspected to ensure they system and its components are not defective, damaged, and/or incomplete. This inspection should include, but not be limited to, reviewing the system and its parts for rust, worn components, cracks of stresses in the welds, and/or worn bumpers.

4. Measure the width of each wall that the TruSafe™ system is being installed on:



WARNING! The letter “A” represents a wall. The TruSafe™ system can only be installed on parapet walls that have 90-degree angles from a vertical surface to a horizontal surface.

5. When you are installing the Force Clamp Assembly, remove the Pin as depicted in Step 4’s diagram. When you are using the Screw Clamp Assembly, you need to adjust the fit of the Y Braces by turning the Threaded Rod.
6. Adjust the Assemblies to match the width of each wall the TruSafe™ System will be installed on:



7. For the Force Clamp Assembly, reinstall the Pin as depicted in Step 6's diagram.

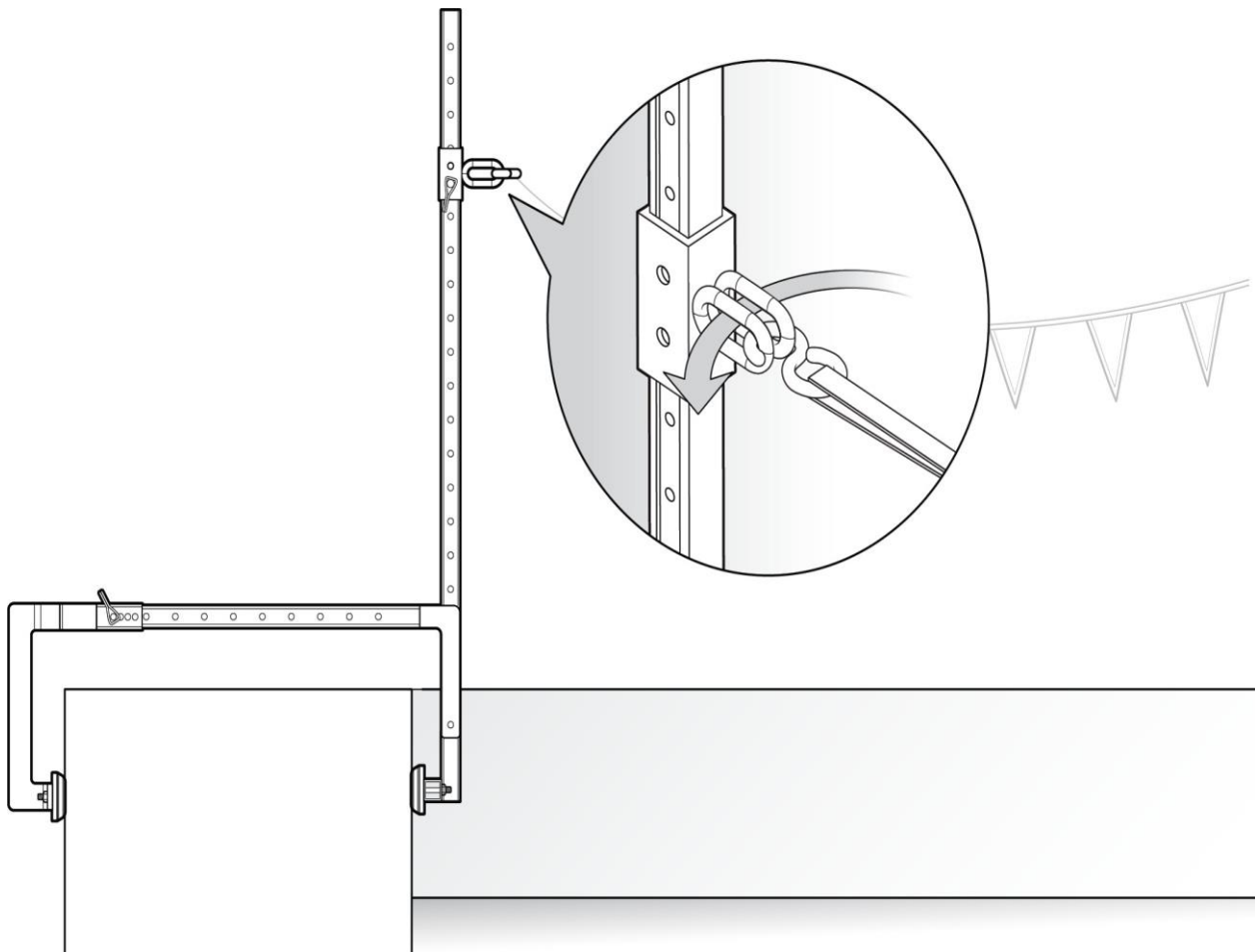
Warning! For Steps 5 through 7, the Stand should not be on the wall and the person performing these tasks should be on a flat surface.

8. Place each Assembly onto the wall as demonstrated by the man in Step 6's diagram.

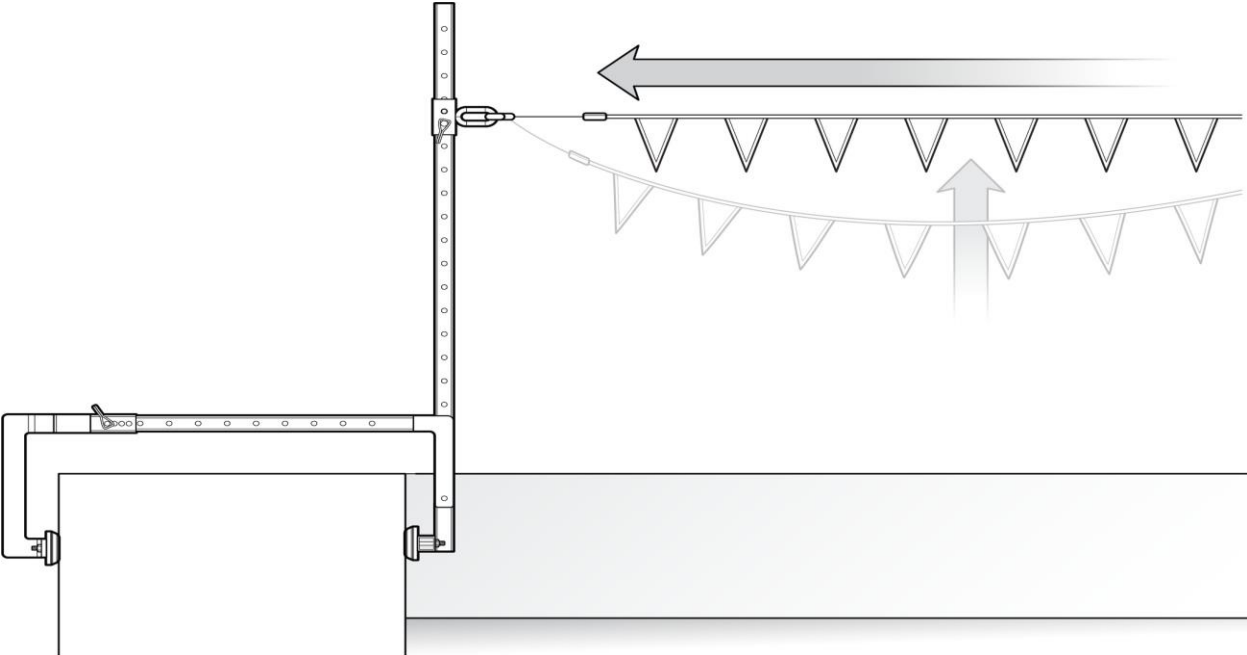
Note: Steps 5 through 8 have been performed successfully if all Rubber Bumpers are making complete contact with the wall.

9. Repeat Steps 5 through 8 for the Stand that is going to be installed on a wall that is parallel/opposite to the wall you just installed the first Stand on.

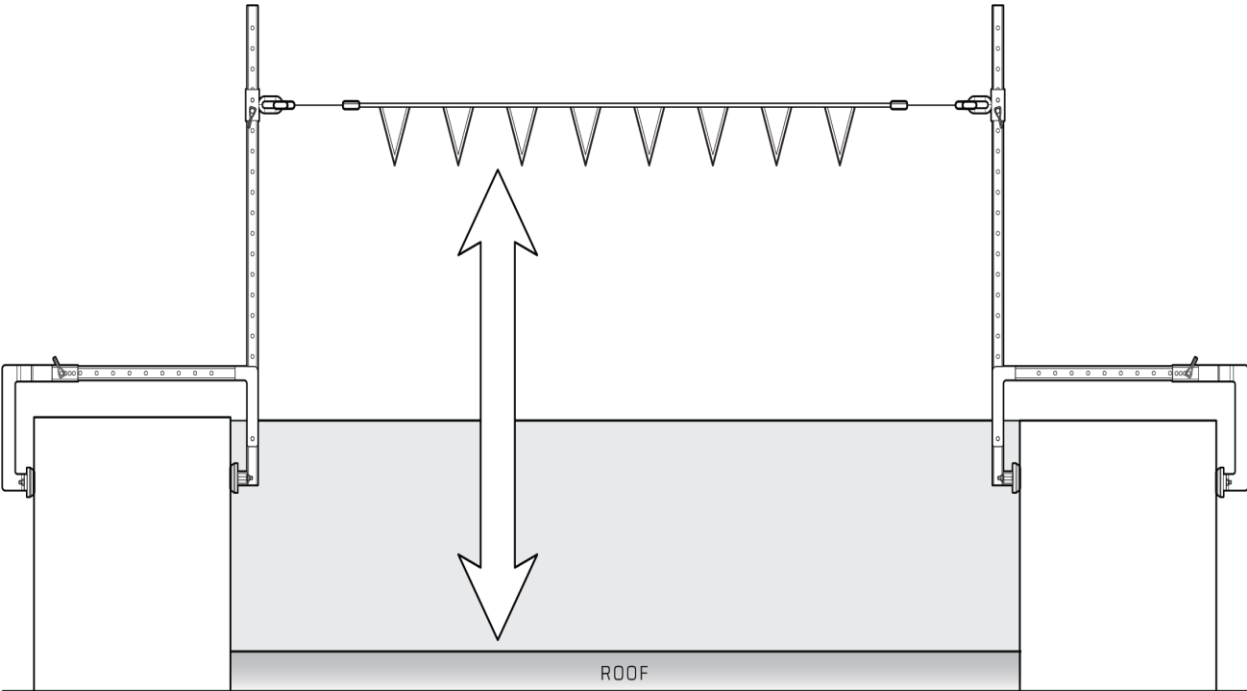
10. Connect the Flag Rope to each Force Clamp Assembly's Attachment Hook:



11. Tighten the Flag Rope to the other Force Clamp Assembly's Attachment Hook using a Ratchet Strap:



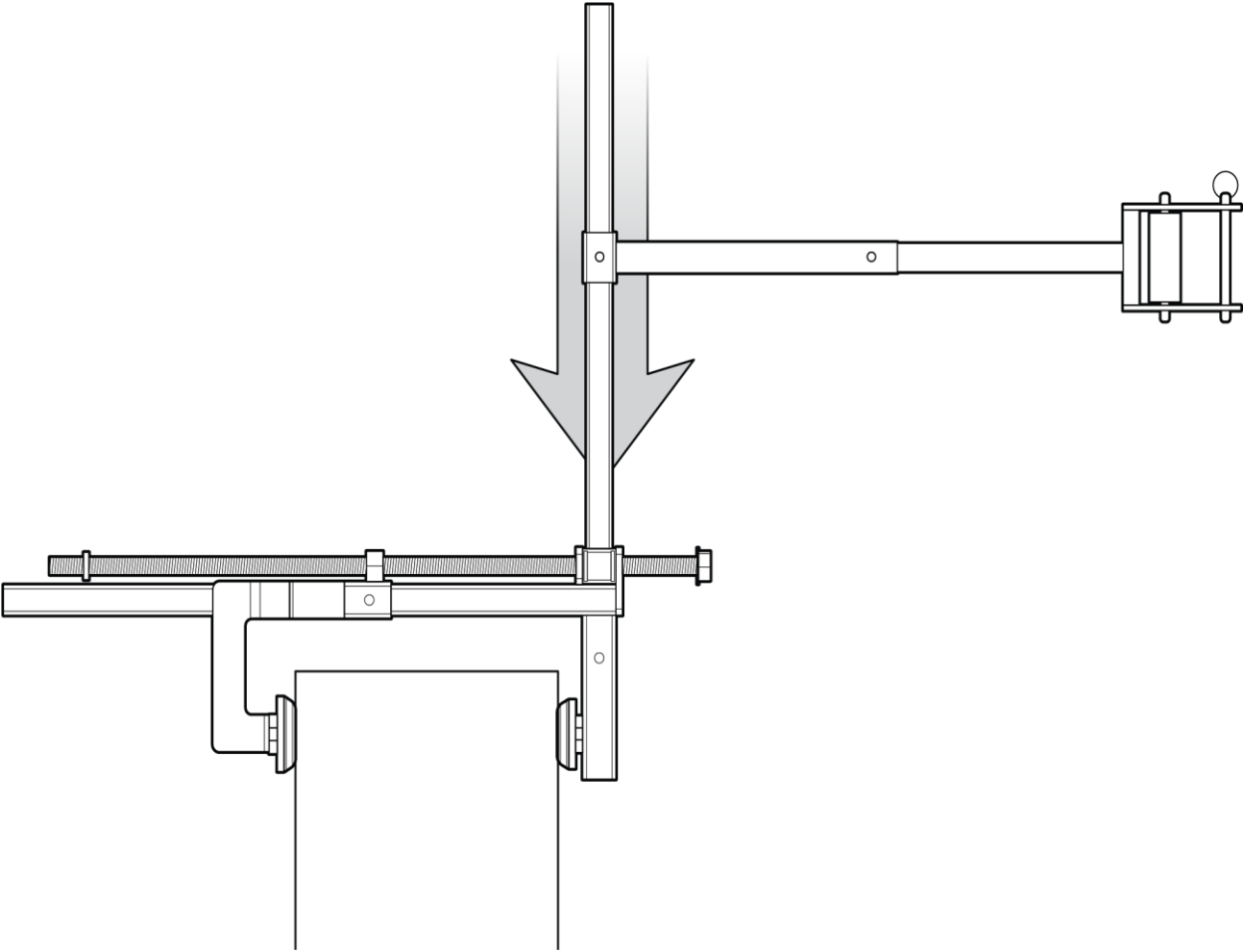
12. Adjust the Flag Rope Tie Off to applicable height requirements that are set by the applicable government rules and regulations:



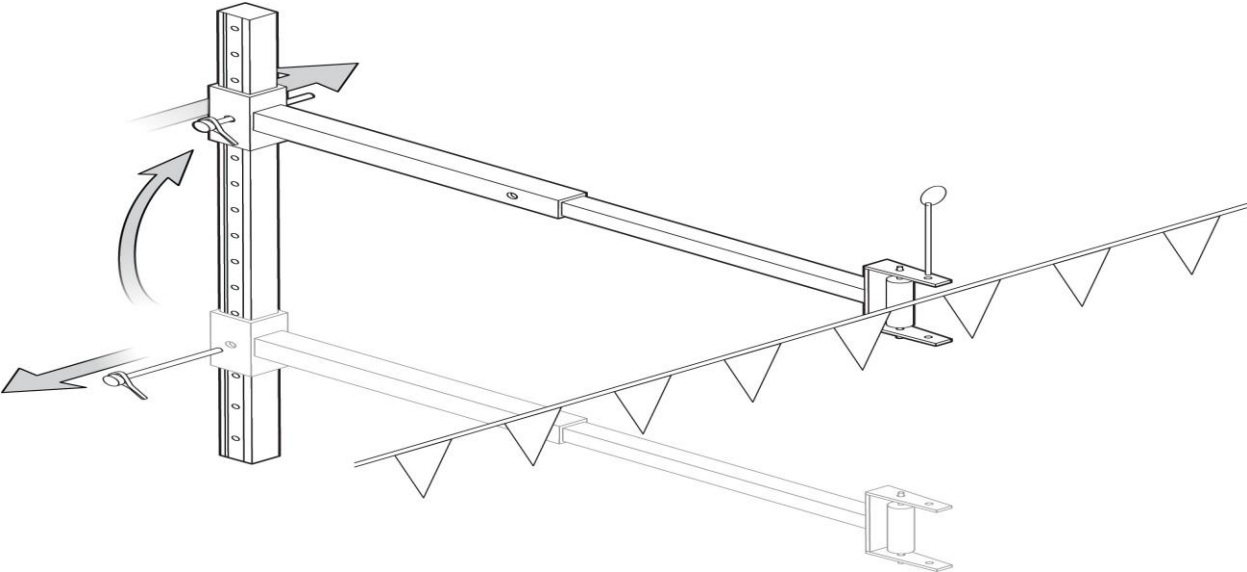
13. Install the Screw Clamp Assembly to a portion of a wall that runs perpendicular to the Flap Rope. If installed correctly, you will have used a socket wrench or socket drill attachment to ensure the Screw Clamp's Bumpers will have complete contact with the wall and the Screw Clamp will have little or no movement.

WARNING! Do not allow the Screw Clamp Assembly to be overtightened to the wall. Overtightening may cause damage to the wall. Further, make sure the wall is solid and otherwise strong enough to maintain its structural integrity when stress is put on the TruSafe™ system.

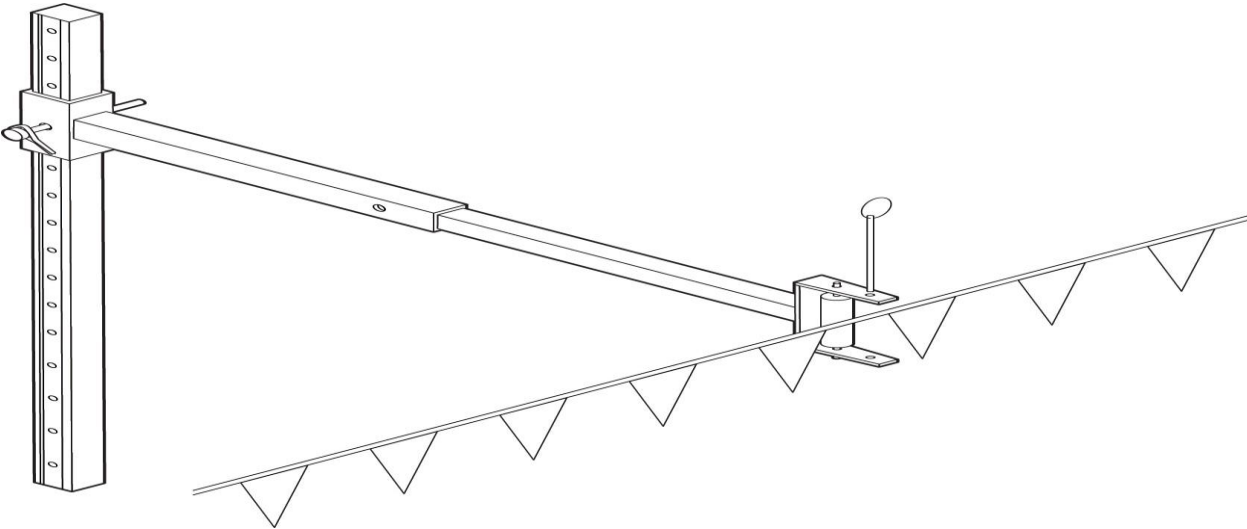
14. Place the Extension Arm onto the Screw Clamp:



15. The Extension Arm must set as required by applicable government rules and regulations:



16. Once the Extension Arm is set, the end piece on the Extension Arm should hold the Flag Rope:



17. To take down the TruSafe™ system, follow these instructions in reverse order from Step 17 to Step 1.

Warranties and Disclaimers

THIS LIMITED WARRANTY GIVES YOU SPECIFIC LEGAL RIGHTS, AND YOU MAY ALSO HAVE OTHER RIGHTS WHICH VARY FROM JURISDICTION TO JURISDICTION.

1. LIMITED WARRANTY

TruSafe™ warrants the TruSafe™ System to be free from defects in workmanship and materials, under normal use and conditions, for a period of thirty (30) days from the date of purchase (“Warranty Period”). TruSafe™ agrees, at its option during the Warranty Period, to repair any defect in material or workmanship of TruSafe™ products or to furnish a repaired or refurbished product of equal value in exchange without charge (except for a fee for shipping, handling, packing, return postage, and insurance which will be incurred by the customer). Such repair or replacement is subject to verification of the defect or malfunction and proof of purchase as confirmed by showing the model number on original dated sales receipt.

2. WARRANTY LIMITATIONS

TruSafe™ will not warranty any of the following:

- Any condition resulting from other than ordinary wear or any use for which the TruSafe™ system was not intended.
- Any condition resulting from incorrect or inadequate maintenance or care.
- Damage resulting from misuse, abuse, negligence, accidents, or shipping damage.
- Dissatisfaction due to buyer’s remorse.
- Normal wear and tear.
- Any condition resulting from rust on the zinc coating of the TruSafe™ System.
- Damage incurred during transportation.
- Damage incurred during assembly or maintenance.
- Any used, previously displayed items.

TruSafe makes no express warranty or condition whether written or oral and TruSafe expressly disclaims all warranties and conditions not stated in this limited warranty. To the extent allowed by the local law of jurisdictions outside the United States, TruSafe™ disclaims all implied warranties or conditions,

including any implied warranties of merchantability and fitness for a particular purpose. For all transactions occurring in the United States, any implied warranty of condition of merchantability, satisfactory quality, or fitness for a particular purpose is limited to the duration of the express warranty set forth above. Some states or countries do not allow a limitation on how long an implied warranty lasts or the exclusion of limitation of incidental or consequential damages for consumer products. In such states or countries, some exclusions or limitations of this limited warranty may not apply to the Purchaser. For consumer transaction, the limited warranty terms contained in this statement, except to the extent lawfully permitted, do not exclude, restrict, or modify but are in addition to the mandatory statutory rights applicable to the sale of this Product to the Purchaser.

3. WARRANTY CLAIM PROCEDURES

- Claims for defective merchandise must be made in writing within thirty (30) days from the product's invoice date. Claims for missing parts must be made within 30 calendar days after the merchandise is received by the Purchaser.
- Claims can be made via U.S. Mail or e-mail to the following:

TruSafe™, LLC
307 31st Avenue South
Waite Park, Minnesota 56387

info@trusafeco.com

- Any claim for defective merchandise returns must be packed in original packaging.
- We reserve the right to specify that items be returned to the original warehouse for inspection or be inspected by our representative in the field.
- Pictures are required to claim defective merchandise, along with a copy of the original invoice.
- If the claim is justified, the item(s) or part(s) will be repaired or replaced, or a credit will be issued. It is our policy to replace parts whenever possible.

This Warranty is rendered null and void if the TruSafe™ system and/or any of its components are damaged because you modified the TruSafe™ system and/or used the TruSafe™ system with components that were not supplied by TruSafe™.